

Installation instructions for KZNG5-03640-00  
Under Run Protective Shield Transmission Case

## LEXUS GX



## TOYOTA LC



Model Year: GX 460 - 2009 - 2013 -

LC 150 Diesel -  
2009 - 2013 - 2015 -

LC 150 Petrol - 2009 - 2017

Vehicle Code URJ150L-GKTZKW

KDJ150L-GKAEYW

GRJ150L-GKAEKW

Part Number

KZNG5-03640-00



Weight

5,91 kg

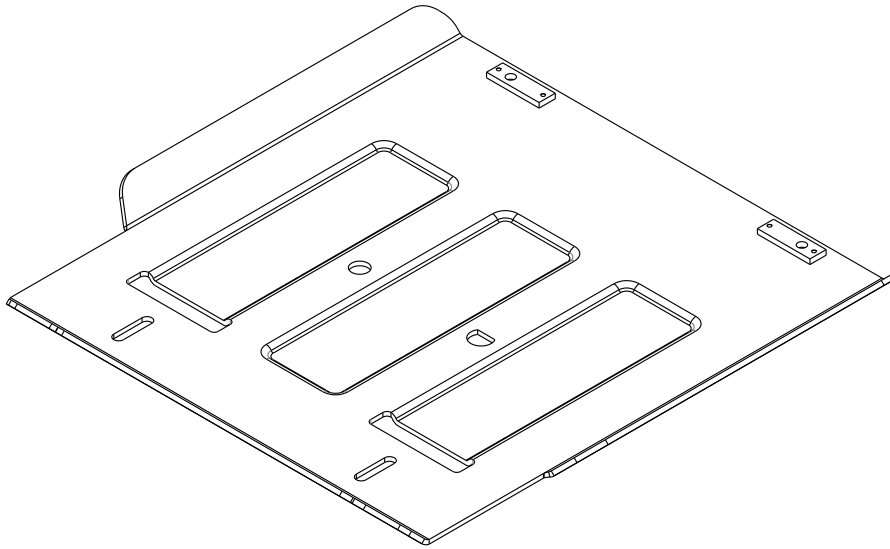


Installation Time

10 min

KZNG5-03640-00

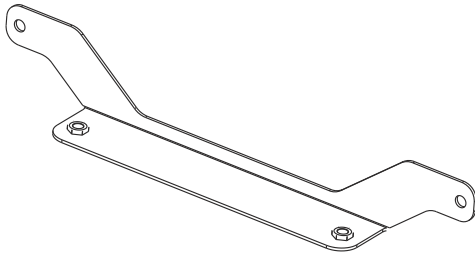
**A**



1x

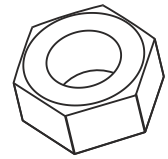
KZNG5-01696-60

**B**



1x

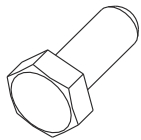
**C**



M10

2x

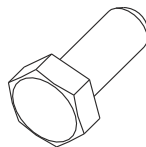
**D1**



M10x30

4x

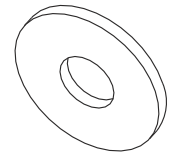
**D2**



M10x110

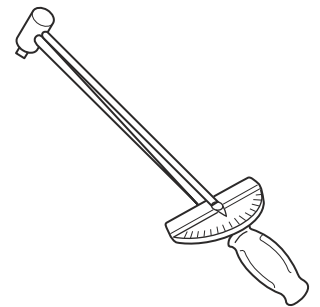
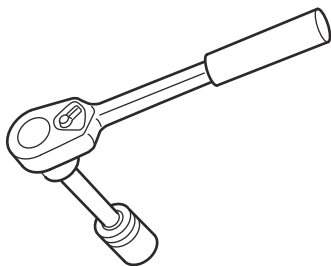
2x

**E**

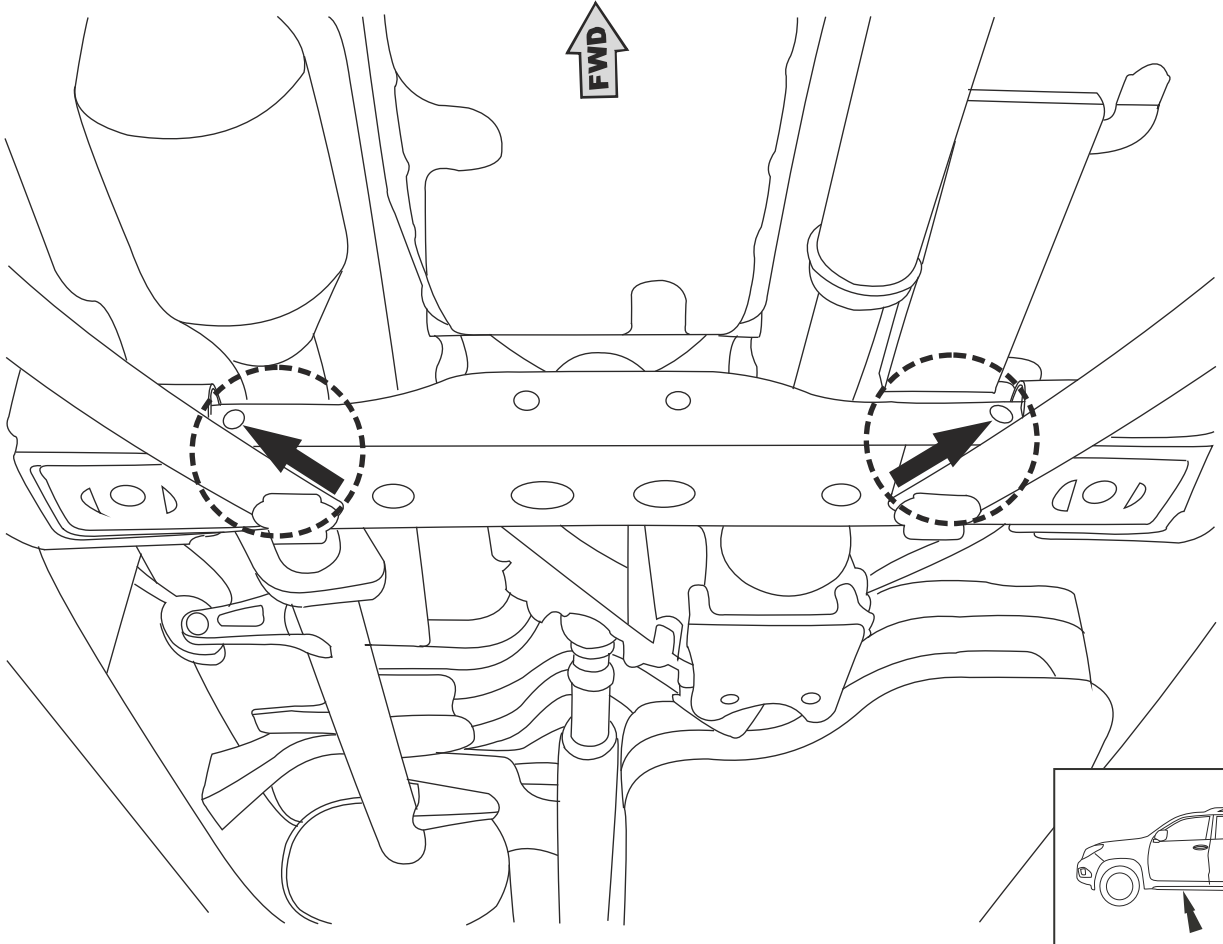


Ø10

8x



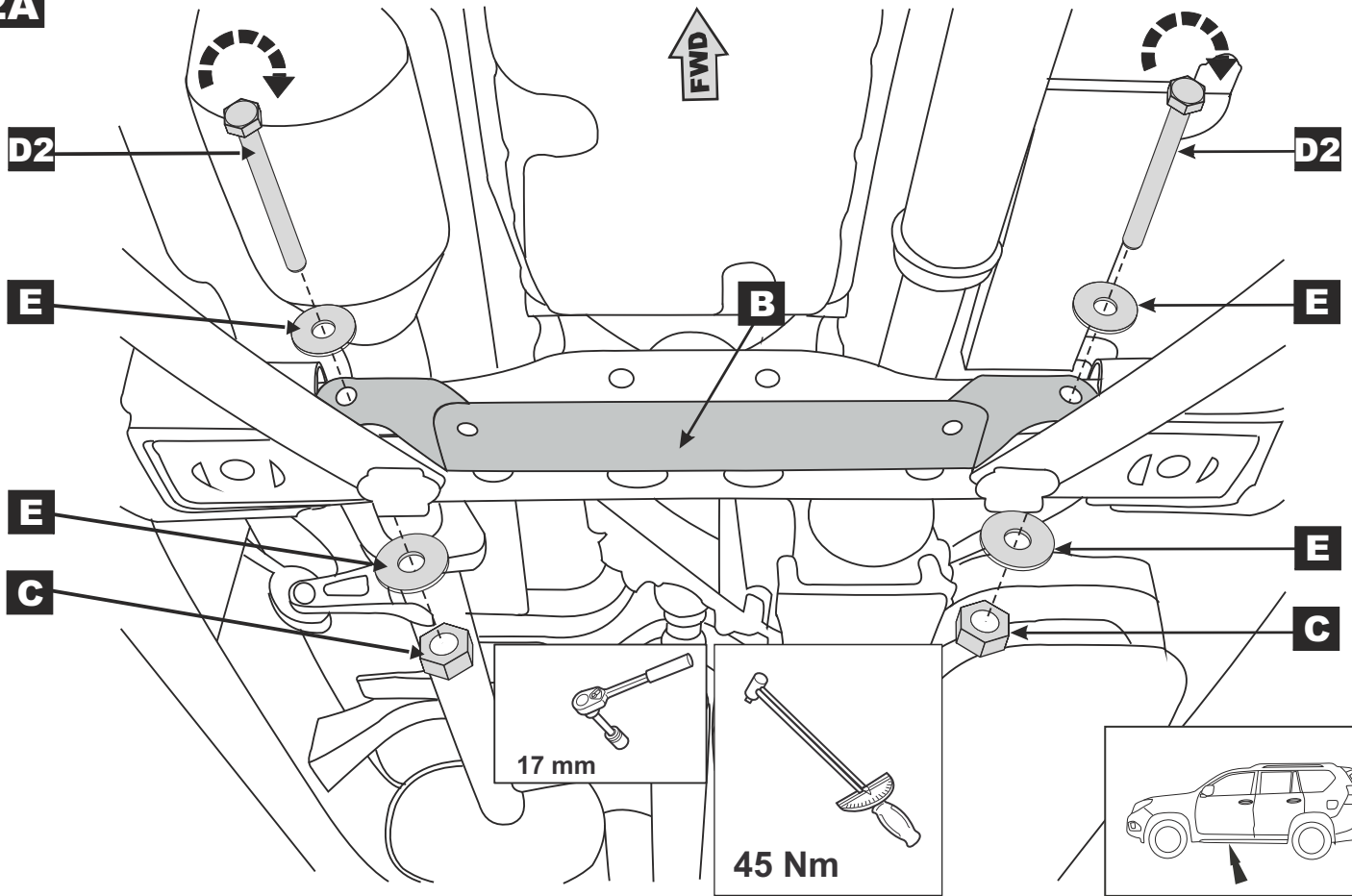
**1**



**2A**

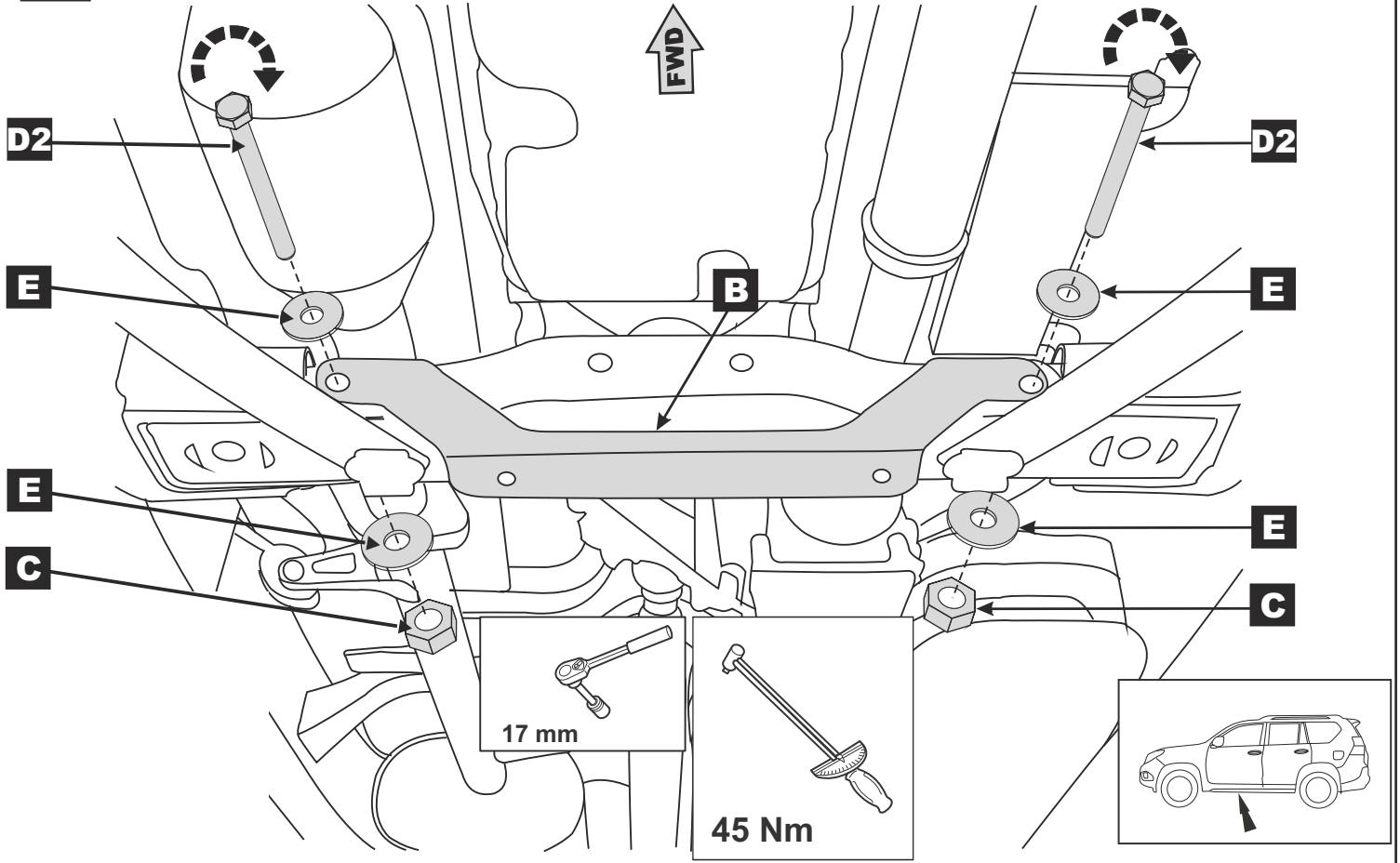
**LEXUS GX 460**

**Toyota Land Cruiser 150 Diesel**

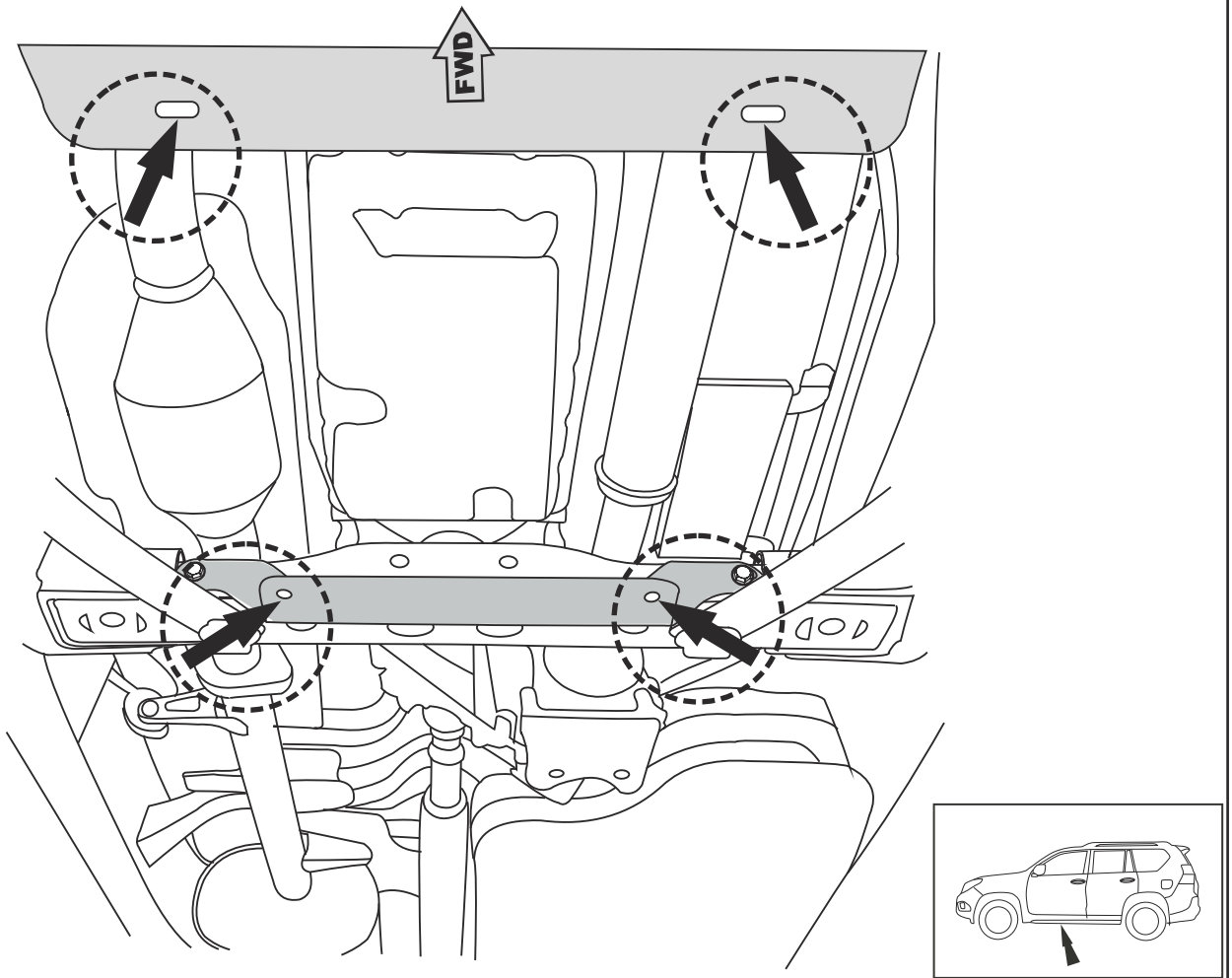


**2B**

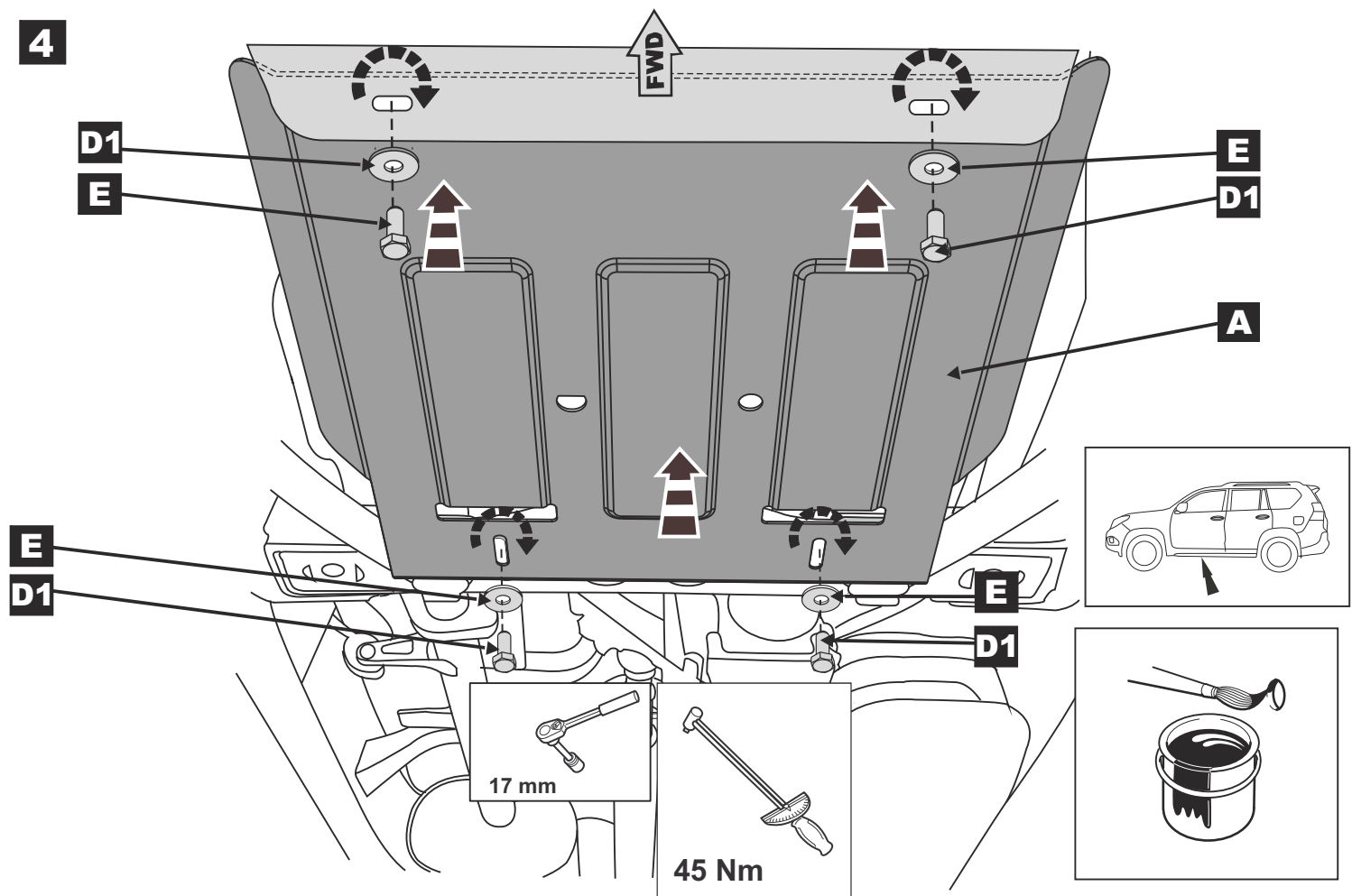
# Toyota Land Cruiser 150 Petrol



**3**



**4**



**5**

